

ITS 323 – QUIZ 7 (CSA ANSWERS)

First name: _____ Last name: _____

ID: _____

Total Marks: _____

out of 10

Question 1 [2 marks]

Match the address/identifier types to their correct meaning (write either the letter or the full name). You can select from the following address/identifier types:

- a. Port number
- b. Hardware address
- c. Protocol number
- d. Domain name
- e. IP address

_____	Logical addresses identifying a network interface
_____	Physical addresses specific to a LAN or WAN technology
_____	Identify the transport protocol
_____	Identify application protocols

Answers

Port number: Identify application protocols

Hardware address: Physical addresses specific to a LAN or WAN technology

Protocol number: Identify the transport protocol

Domain name: User-friendly identifiers for IP interfaces

IP address: Logical addresses identifying a network interface

Question 2 [marks]

True or false:

- a) A single TCP segment may contain data, as well as an acknowledgment T / F
- b) DNS maps IP addresses to hardware addresses T / F
- c) Two protocols used in email transfer are IMAP and SNMP T / F

Answers

True - A segment carrying data can also have the ACK flag set to indicate an acknowledgement

False - DNS maps domain names to hardware addresses

False – SNMP is Simple Network Management Protocol, not for email.

Question 3 [2 marks]

List the four addresses that identify a unique TCP connection:

1. _____
2. _____
3. _____
4. _____

Answer

Source port number

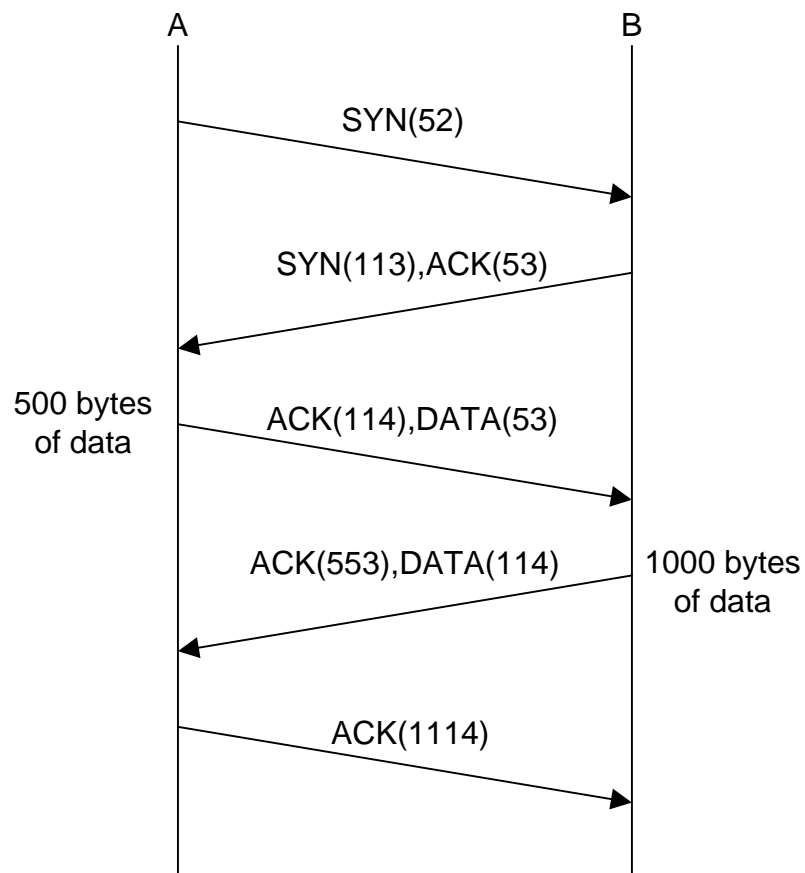
Destination port number

Source IP address

Destination IP address

Question 4 [3 marks]

Complete the missing parts in the figure below which shows TCP connection setup between A and B, as well as data transferred from A to B (500 bytes) and from B to A (1000 bytes). The format of messages is as follows: Type(Number), and of course some segments may have multiple types.

Answer

Bonus Questions (marks from these questions are added to your overall quiz score from the five best quizzes; each part is worth 1 mark)

- a) What is the broadcast address for the classless IP address 160.14.16.3/17?

Broadcast address: _____

- b) What subnet mask should be used to create a network with a maximum of 254 hosts?

Subnet mask: _____

- c) Name the LAN MAC protocol that is similar in concept to Synchronous TDM

MAC protocol: _____

- d) Name the routing strategy where a router randomly selects a link to transmit a packet on.

Strategy: _____

- e) What is the network address for the classful IP address 120.3.254.16?

Network address: _____

Answers

a. 160.14.127.255

b. 8 bits gives 2^8 possible values, minus two special addresses gives 254 hosts. Hence the network portion of the address must be 24 bits and the host portion 8 bits. The subnet mask is /24.

c. Round Robin MAC: users take in turns transmitting

d. Random Routing.

e. Class A address, hence network address is 120.0.0.0